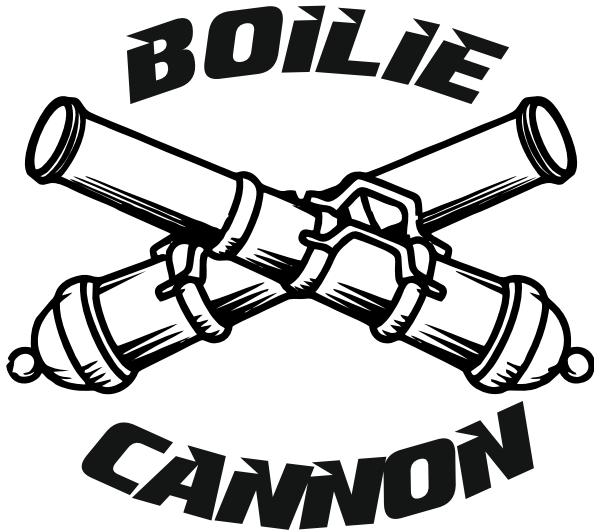


User's Manual



January 2021.

Please read this manual first!

Dear Customer,

We want you to get the best yield from the product that is produced in modern facilities and passed through rigorous quality control processes. For this reason, carefully read the entire instruction manual carefully before using the product and save it as a reference.

If you hand over the product to someone else, give it a guide.

The user guide helps you to use the product quickly and safely.

- Read the instruction manual before installing and operating the product.
- Be sure to follow safety instructions.
- Keep it in a place where you can easily access the manual, as you may need it later.

Symbols and explanations

The user guide contains the following symbols:



Important information or useful tips about using it



Warning against dangerous situations in terms of injuries and property



Warning against electric shock

Table of Contents

Safety Instructions	3
Warning.....	4
Caution.....	6
Operation	8
Parts and functions	8
Technical details.....	9
Boilie diameter setup.....	10
Operating the Boilie Cannon.....	12
Using Bluetooth	12
Charging the Boilie Cannon.....	13
Using external power supply	13
Using USB charger for your other devices	13
Maintenance	13
Troubleshooting	14
EU Declaration of Conformity	15

Safety Instructions

The following safety guidelines are intended to prevent unforeseen risks or damage from unsafe or incorrect operation of device

The guidelines are separated into "WARNING" and "CAUTION" as described below.



This symbol is displayed to indicate matters and operations that can cause risk. Read the part with this symbol carefully and follow the instructions in order to avoid risk.



WARNING

This indicates that the failure to follow the instructions can cause serious injury or death.



CAUTION

This indicates that the failure to follow the instructions can cause the minor injury or damage the product.



To reduce risk of injury, fire, electric shock or death to persons when using this product, follow basic precautions, including the following:

Children

This device is not intended for use by persons (including children) with reduced physical, sensory or mental capabilities, or lack of experience and knowledge, unless they have been given supervision or instruction concerning use of the device by a person responsible for their safety. Children should be supervised to ensure that they do not play with the device.

Operation

- Be sure to use only those parts listed in the service parts list. Never attempt to modify the equipment.
- Dispose of the batteries in a place where there is no danger of fire.
- Cut off the power supply if there is any noise, smell, or smoke coming from the device.
- Do not leave flammable substances such as gasoline, benzene, or thinner near the device.
- To clean the interior, contact an authorized service center or dealer. Using detergents may cause corrosion or damage to the unit.
- Do not operate Boilie Cannon if there is a person in front of or above device.
- While inserting boilies into Boilie Cannon, position yourself completely left from the device. Never allow any of your body parts to be directly in line of ejecting, or above the boilie ejection opening.
- Do not insert hands or other objects through the cutout at the top of the machine.
- Do not insert fingers or other objects through the hole in the middle of the machine.

-
- Beware of moving parts.
 - Do not touch rotating part when machine is running.
 - Make sure that the charger is neither dirty, loose, nor broken.
 - Do not place any objects on the charger power cable.
 - Do not place a heater or other heating appliances near the charger.
 - Do not modify or extend the charger power cable. Scratches or peeling insulation on the power cables may result in fire or electric shock, and should be replaced.
 - Disconnect the charger power supply immediately in the event of a blackout or a thunderstorm.
 - Take care to ensure that charger power cable could not be pulled out or damaged during operation.
 - Always keep your device in normal position while operating.



To reduce the risk of minor injury to persons, malfunction, or damage to the product or property when using this product, follow basic precautions, including the following:

Operation

- Do not place any object on the device.
- If connecting device to external power source with alligator clips, connect it only to 12V battery. Pay close attention to cable polarity: RED alligator clip is POSITIVE (+) and BLACK alligator clip is NEGATIVE (-) pole. Reversing the polarity will result in damage to internal battery.
- Do not let the Boilie Cannon run for a long time if there is no need.
- Do not use the product for ejecting anything but boilies.
- Use only boilies with measured diameter between 15mm and 23 mm (0,6" to 0,9").
- Use supplied diameter gauges to measure actual boilie diameter. Some boilie manufactures declare incorrect boilie diameter on the packaging.
- Before each use, make sure that boilie diameter settings of Boilie Cannon are matching diameter of boilies that you are currently using.
- Use only round shaped boilies.
- Never dip boilies in water or any other liquids before inserting them in device. Liquid ingress can damage internal components of Boilie Cannon, cause dirt build-up or obstruct internal optical sensors.
- Insert boilies one-by-one through boilie insertion opening.
- Never try to force any objects in rotating disc cavity.
- Avoid any unnecessary movements of device while it is running (disc is rotating). If you have to do the fine lateral adjustments of position where boilies fall, do it very carefully and slowly. Rapid moves while device is running could damage internal parts.

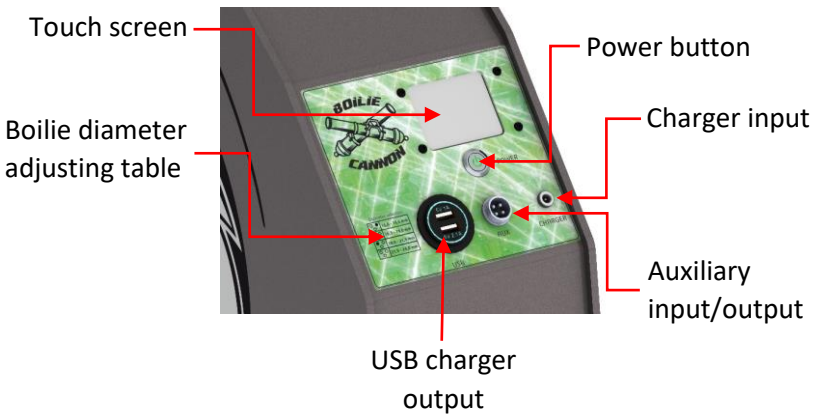
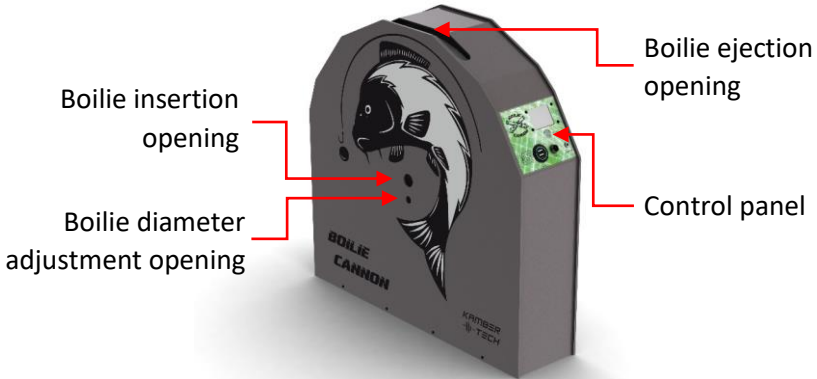
-
- Do not disassemble the battery.
 - Use only supplied battery charger and accessories.
 - Keep your device in normal position while storing for longer periods or while charging.
 - Do not expose device to rain or wet conditions.
 - Never put any metal objects in Charger and Auxiliary connectors. Connect only supplied charger and original accessories.

Maintenance

- Never use strong cleaning agents or solvents when cleaning the device or spray water. Use a dry or lightly wet smooth cloth for outside cleaning.
- Never insert any other objects except supplied soft brush for cleaning boilie ejection cavity.

Operation

Parts and functions





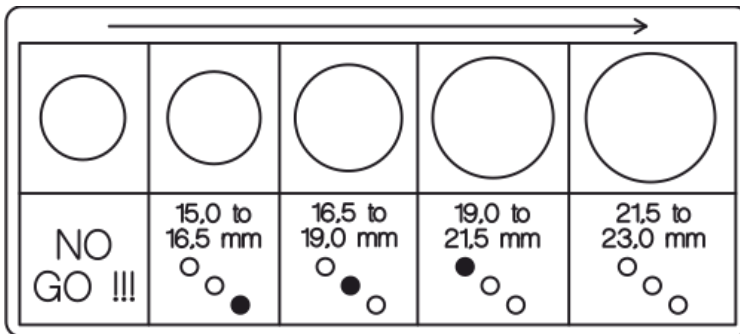
Technical details

Range	100 m / 328 ft
Minimum boilie diameter	15 mm / 0,6"
Maximum boilie diameter	23 mm / 0,9"
Average practical ejecting rate	60 boilies per minute
Internal battery capacity	12 V - 7 Ah
Operating time - 75% speed	60 minutes
Operating time - full speed	25 minutes
Operating time with external 45 Ah battery	6 hours
Maximum number of ejected boilies per internal battery charge (75% speed)	4200 boilies (up to 30 kg / 66 lbs)
Internal battery charging time	7 hours
USB charger output	5V - 2.1 A and 1 A
Noise level	84 dB(A) @ 10m
Bluetooth range	10 m
Weight	17,1 kg / 37,7 lbs
Dimensions (L x W x H)	16 x 65,5 x 67 cm / 6,3" x 25,8" x 26,4"

Boilie diameter setup

Boilie Cannon can eject boilies with diameters ranging from 15 mm to 23 mm (0,6" to 0,9"), but before use it has to be prepared for actual diameter of you boilies by inserting adjusting screw to corresponding position.

For measuring diameter of your boilies, use supplied Boilie diameter gauge. Boilie diameter gauge is illustrated on the picture below.

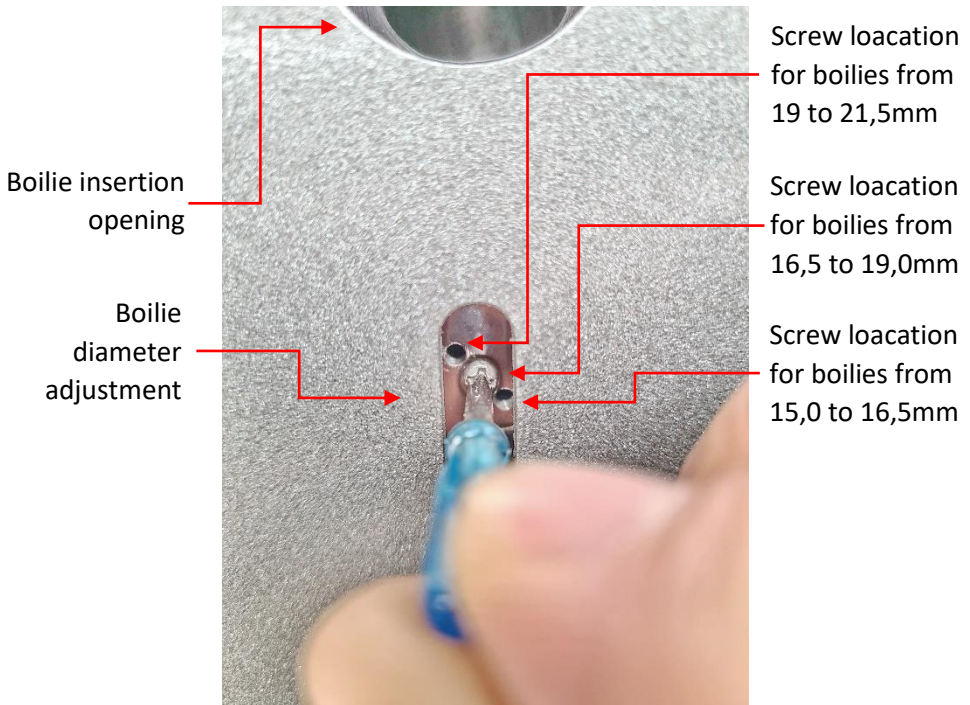


To determine actual diameter of your particular boilies, follow this simple procedure:

1. Try inserting boilie through the most left hole - if boilie drops through the hole, your boilies are too small (less than 15mm) and should not be used with Boilie Cannon.
2. Try inserting boilie through the next hole, moving to the right. If boilie drops through the hole, then you have found your boilie diameter. If not, continue with step 2 (left to right) until you find a smallest hole that your boilie can pass through.
3. Once you have found your boilie diameter, set the adjustment screw to appropriate position, according to the illustration on the picture above.
4. If boilie cannot pass through the biggest hole (the most right), then your boilies are too big (more than 23mm) and should not be used with Boilie Cannon.

Once you have determined actual boilie diameter, follow this simple procedure to setup Boilie Cannon for your boilies:

1. Turn off device
2. Locate three adjustment holes by looking through boilie diameter adjustment opening while slowly rotating disc by hand through boilie ejection opening.
3. Insert or relocate supplied screw (M3 x 26 mm) based on your previously determined boilie size. Use supplied screwdriver. Black dot on the image above represents location of the screw for given boilie diameter. For boilies between 21,5 and 23,0 mm, screw should be taken out from the device.



Boilie Cannon comes supplied with four adjusting screws. For configuring your boilie diameter use only one screw (or no screw if using boilies from

21,5 mm to 23,0 mm). Never insert two or more screws at the same time. Four screws are supplied for your convenience in case you lose one of them.

Do not rotate disc during the setup process.

Operating the Boilie Cannon

Once boilie diameter is set, you can start using it by following these simple steps:

1. Turn on your device by pressing "Power button". Once pressed, Power button will lit and system diagnostics will start. After couple of seconds, device will be ready to accept user inputs.
2. Press "START / STOP button" and device will spin up internal ejecting disc to desired speed in couple of seconds.
3. Insert boilie in "Boilie insertion opening". Vacuum suction will pull boilie automatically and it will be ejected immediately.
4. Adjust your range as desired with "Speed increase button" and "Speed decrease button" (+ / -).
5. Continue inserting boilies in "Boilie insertion opening" one by one.
6. After ejecting desired number of boilies, disengage rotating disc by pressing "START / STOP button" again to preserve battery.

Using Bluetooth

All controls available on touchscreen on your Boilie Cannon can be accessed from your smartphone. To do so, your phone and Boilie Cannon have to be paired once: start the search option on your phone and pair with Bluetooth device called BoilieCannon_####, where #### ranges from 0001 to 9999 representing the serial number of your device. Enter your unique password in your phone, when asked. Unique password for your device is supplied with your product and cannot be changed by user. You can find your password at the end of this manual. Once paired, you can start your mobile app and by pressing "Connect" button and selecting your device from the list, you can start using your phone as a remote controller.

Charging the Boilie Cannon

Boilie Cannon is equipped with internal battery. Battery indicator is located in top right corner of screen and it displays battery state through seven levels. Before every use, connect your supplied charger to "Charger input". Charging can take up to seven hours. Battery charger will automatically stop charging when the battery is fully charged, so it is not a problem if you leave charger connected for a longer period.

Generally, excessive battery discharge can damage a battery. To prevent that from happening, Boilie Cannon will automatically stop the operation if the battery is empty.

Using external power supply

Depending on your fishing style, internal battery might not be sufficient for your needs. In case of need for ejecting large quantities of boilies without recharging your internal battery, use optional accessories, such as external battery, alligator clips and car lighter charger. Optional accessories should be connected to "Auxiliary input/output".

Using USB charger for your other devices

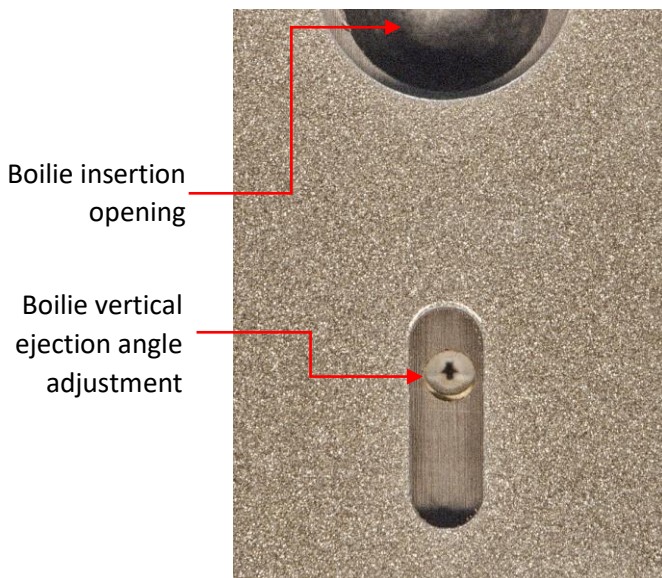
Since your Boilie Cannon has embedded large capacity internal battery, power from Boilie Cannon can be used to charge your mobile phone, tablet, lamps, bite alarms and other devices that can be charged from standard 5V USB charger.

Fine adjusting the vertical ejection angle

Not all boilies have the same physical properties. Depending on your boilie weight, density, friction, roundness, hardness, etc., some variations in vertical ejection angle are possible. Boilie Cannon's vertical ejection angle is

preconfigured in factory based on average boilie physical properties and should work with most of the boilies. However, if you notice that your boilies are leaving the Boilie Cannon too low or too high, you can use this simple procedure to adjust vertical ejection angle:

1. Turn off device completely with power button.
2. Locate vertical ejection angle adjustment potentiometer by looking through boilie diameter adjustment opening while slowly rotating disc by hand through boilie ejection opening, as illustrated on the image below.
3. Use supplied screwdriver to adjust vertical ejection angle. Turning the screwdriver clockwise will increase vertical ejection angle, and vice versa. Do the adjustments in small steps.
4. Turn on your device and test your new adjustments. During the testing of new adjustments it is possible that your changes were too large and that boilies are being ejected inside the Boilie Cannon, not leaving the ejection opening. Therefore, during the testing, never use more than 30% of power. Once your settings are confirmed with low power with couple of boilies, you can start using the full power.



Maintenance

After each fishing session, clean your Boilie Cannon from the outside with dry or lightly wet rag.

After extensive use, gently clean boilie ejection cavity inside rotating disc through boilie ejection opening with supplied brush. Remove boilie diameter adjustment screw before cleaning the ejection cavity.

In case of uncontrolled boilie ejection (wrong diameter settings or brittle boilies), it is possible that some parts of boilies stays inside the Boilie Cannon case. Should that happen, empty remainders of boilies after use through holes at the bottom by tilting your device.

Troubleshooting

- Rotating discs stops spinning after some time.

Since excessive battery depletion can damage the battery, Boilie Cannon has embedded battery protection. If your battery is depleted below safety level, device will automatically deactivate disc rotation to prevent battery damage. Charge your battery or use some of your accessories for external power supply.

- Boilie has stuck inside the rotating disc.

If you do not follow usage procedures described in this manual, it is possible that boilie will stuck inside the rotating disc. Should that happen, follow this procedure to remove stuck boilie from the rotating disc:

1. Turn off device with "Power button"
2. Rotate disc by hand through boilie ejection opening so that opening where boilies leave disc is pointed upwards (is visible through the ejection opening).
3. If boilie does not come out automatically after rotating the disc, remove boilie diameter adjustment screw if it is installed.
4. If boilie does not come out automatically again, use supplied cleaning brush to push stuck boilie out of the disc by inserting it through boilie ejection opening. Use cleaning brush gently and never apply large amount of force because by doing so you could damage internal parts. Never insert any other object into rotating disc except supplied brush.

- Boilie Cannon is not responding to the vertical ejection angle adjustments.

Turn off device completely, then turn it back on. New settings are only being accepted during the system diagnostics process. During the vertical ejection angle setup process, you probably did not turn off the device completely.

-
- Boilie diameter adjustment screw is setup correctly for actual boilie diameter, but boilies are exiting from rotating disc uncontrollably.

It is possible that optical sensors inside rotating disc are obstructed by a dirt. During the system startup, Boilie Cannon performs short system diagnostics. If optical sensors are working normally, you should hear two slow clicks. In case of dirty sensors, you will hear the same two short clicks, immediately followed by three fast clicks. If this is the case, use supplied brush to clean ejection cavity. Remove boilie diameter adjustment screw before cleaning the ejection cavity.

Boilie Cannon serial number: _____

Bluetooth password: _____

EU DECLARATION OF CONFORMITY

Kamber Tech d.o.o.

Vilka Ničea 1a, 43290, Grubišno Polje, Croatia

declare under our sole responsibility that the apparatus referred to in this declaration conforms with the following directives.

Description of apparatus: Fishing bait ejecting device

Model name: Boilie Cannon

Relevant EU Directives:

Machinery 2006/24/EC

Applied Standards / Regulations:

EN60335-1



E-mail: info@kamber-tech.com

Tel. / WhatsApp: + 385 98 296 159

<https://www.kamber-tech.com>